

1/2.7" Megapixel IR Series

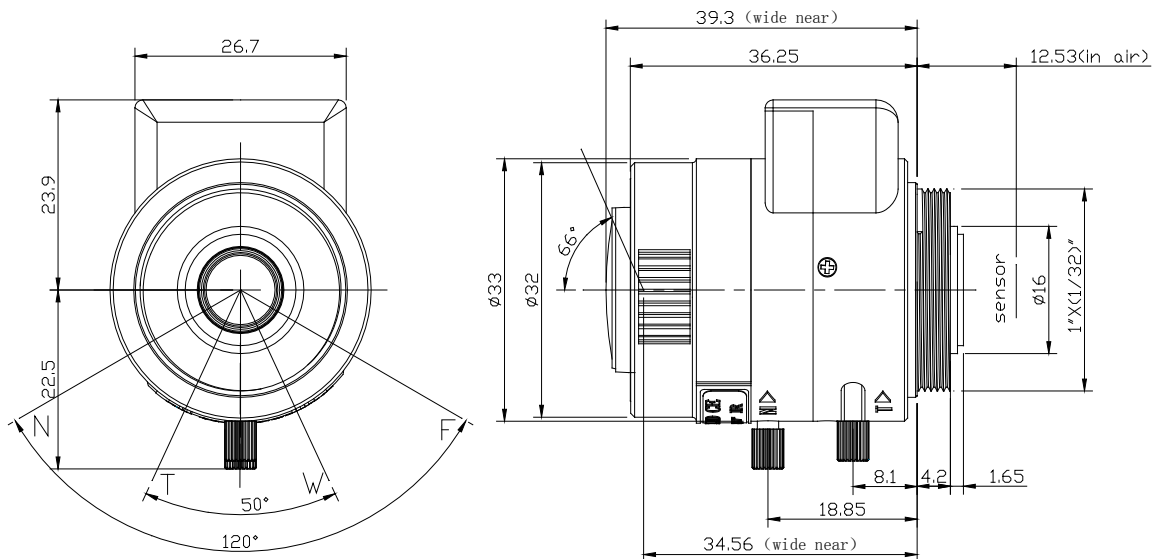
TT02812D.IR-SD(3MP)

- 2.8 - 12mm
- CS Mount
- 1/2.7" Format
- DC-Iris
- 3 Megapixel
- IR Correction



有效焦距	E.F.L.	2.8 ~ 12 mm	
相对孔径	F No.	F1.4	
水平视角	H.FOV	1/3.2" Full	86° ~ 26°
像面尺寸	Image Format	1/2.7"(max)	
光圈类型	Iris Type	DC-Iris	
接口类型	Mount Type	CS	
近 摄 距	M.O.D	0.3m	
畸 变	TV Distortion	-15% (wide)	
主 光 角	Chief Ray Angle (Max)	<8°	
操控方式	Control Type	变倍 Zoom	Manual
		聚焦 Focus	Manual
工作温度	Operating Temperature	-20°C ~ 60°C	
镜头重量	Weight	40g ±4g	

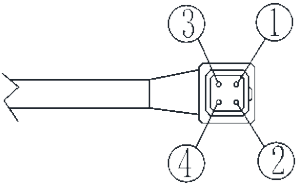
尺寸规格 Dimensions



Tolerance(mm)	0 ~ 10	±0.05	10 ~ 30	±0.10	30 ~ 120	±0.20	Angle	±2°
---------------	--------	-------	---------	-------	----------	-------	-------	-----

DC-Iris

1. Connector and Cord Specification

	1	Damping(-)
	2	Damping(+)
	3	Driving(+)
	4	Driving(-)
Connector	Square 4 pin	JEITA Standard
	Cable Length	250mm

2. DC-Iris Specification

DC Motor	Driving Coil	190Ω at 20°C
	Damping Coil	560Ω at 20°C
	Storage Temperature	-30 ~ 70°C
Operating	Voltage (Open)	3.5 ~ 5V
	Voltage (Close)	<0.5V
	Operating Temperature	-20 ~ 60°C